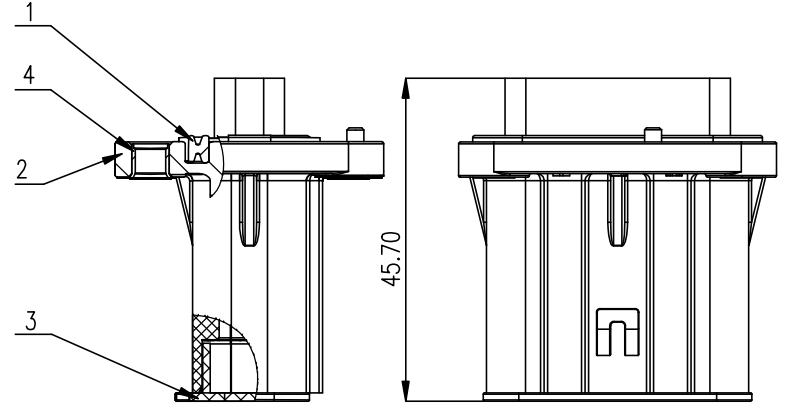
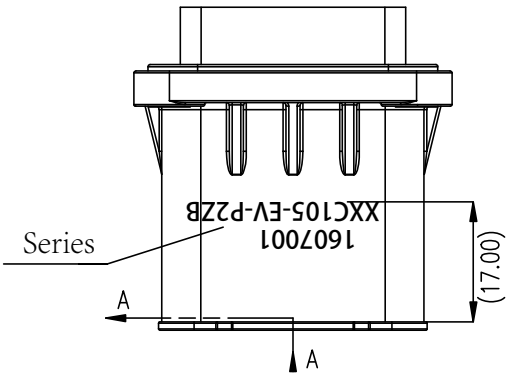
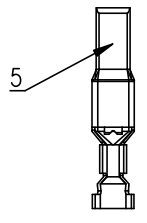
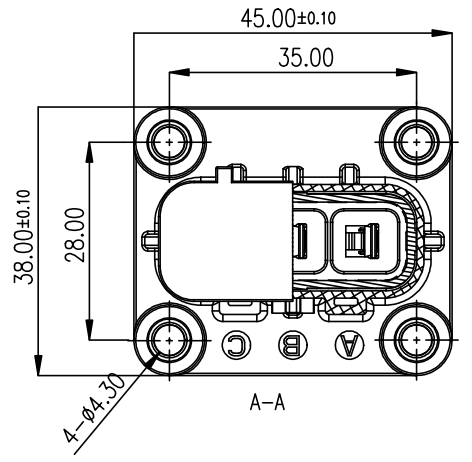


ECN NO.	REV	DATE	DESCRIPTION	MDF'D	APP'D
	A0	2022.6.10	Initial version	ZsH	Qilin
	A1	2023.9.23	Initial version	ZsH	Qilin



- Material: Contact: Copper alloy, silver plating  
Housing: PA66+25GF
- Rated voltage: Power 630V AC/DC  
Signal 5~24V AC/DC
- Rated current: 20A (2.5mm<sup>2</sup> Cable)  
25A (4mm<sup>2</sup> Cable)  
40A (6mm<sup>2</sup> Cable)
- Withstand voltage: 3000V AC
- Insulation resistance:>2000M Ω (normal state)
- Working temperature: - 40 C ~+125 C
- Mechanical life: ≥ 500 times
- Waterproof grade: IP67 (matching state)
- Product meets environmental RoHS requirements
- With or without high-voltage interlock (Optional)
- Insertion force ≤ 50N, Pullout force ≤ 50N



Series	PN	backup	cable	color	Socket Insulators	wiring terminal
XXC106-EV-P3Z	A1-XXC105S004	3core socket 2.5mm <sup>2</sup> unshielded wire	2.5mm <sup>2</sup>	Orange	XX106-02-00-0	XX106-02-00-03
	A1-XXC105S005	3core socket 4-6mm <sup>2</sup> unshielded wire	4~6mm <sup>2</sup>			XX106-02-00-04
	04-HV03N2-B06-S05	3core socket 2.5mm <sup>2</sup> unshielded wire	4~6mm <sup>2</sup>	black	XX106-02-0B-0	
XXC106-EV-P3Z	A1-XXC105S009	3core socket 2.5mm <sup>2</sup> unshielded wire	2.5mm <sup>2</sup>	Orange	XX106-02-00-0	-
	A1-XXC105S010	3core socket 4-6mm <sup>2</sup> unshielded wire	4~6mm <sup>2</sup>			-

5	see list	wiring terminal	3 PCS
4	XX106-02-00-02	3 Core Ring	1 PCS
3	XX105-02-00-01B	Installation of bushings	4 PCS
2	see list	Socket Insulators	1 PCS
1	XX106-02-00-05	3 Core Socket Dust Cover	1 PCS
No	PN	Name	quantity

General Tolerance	Angle Tolerance	<b>POWER DYNAMICS INC.</b> 145 Algonquin Parkway, Whippany, NJ 07981 Phone: 1-973-560-0019    e-mail: sales@powerdynamics.com    www.powerdynamics.com		
	X ±0.5 .X ±0.2 .XX ±0.1			
MATL: SEE-NOTES	Unless otherwise specified, dimensions are in metric and tolerances are	DESIGNER	ZsH	TITLE: XX106 High Voltage Plastic Connector
CUSTOMER-DRAWING		CHECKED	ZsH	PARTS NO: XXC106-EV-P3Z
		APPROVAL	Qilin	(UNIT): mm (SCALE): 1:1 (SHT): 1/1